



| | | | | | | |
|----------|--|------|--|-----|-----------|--|
| PROJECT | | REF | | REV | ITEM CODE | |
| LOCATION | | DATE | | | PAGE | |

SANITARY WARE SPECIFICATION SHEET

| | |
|-------------------|--|
| Item Descriptions | Stern (Israel) "BTM" Chrome plated touch-free wall mounted electronic faucet in AC Supply with 5m wire AC 110-240 Vac 50/60Hz to 9V 0.3A IP68 waterproof switching transformers |
| Model | BTM E |
| Code Number | 280300 |
| Finish | Chrome Plated |
| Supplier | Acme Sanitary Ware Co. Ltd Mr. Eric Wong/ Mr. Don Yuen |
| Contact Tel/Fax | (852) 2388-7171 / (852) 2710-8012 |
| E-mail | acme@acmesanitary.com.hk |
| Website | www.acmesanitary.com.hk |

BTM E
Ref # 280300
Touch-free wall-mounted electronic faucet for concealed integration behind the mirror. Activated by infrared sensor. For cold or premixed water. Adjustable settings by remote control: sensor range, security time, delay in, delay out, on-off and reset of factory settings.

Application:
A perfect solution for concealed installations. Integrated behind the mirror for a clean washroom design. Helps washrooms stay clean and saves water. Ideal for shopping malls, sport facilities, entertainment centers, airports and transportation hubs.

Use:
Touch free electronic faucet. The faucet is automatically activated when user place their hands in the sensor range and stops when the users remove their hands.

| PRODUCT AT A GLANCE | |
|----------------------|---|
| Installation | Concealed Behind The Mirror |
| Power Supply | 9V transformer or Battery box for 6 x 1.5V batteries |
| Operating pressure | 0.5-8.0 bar / 7.0-116.0 PSI |
| Water supply | Cold or premixed water |
| Water flow | 5.68 LPM / 1.50 GPM |
| Water Saving Options | 1.89 LPM / 0.5 GPM - PCA spray |
| Water temperature | 70°C Maximum |
| Security time | Auto shutoff after 90 seconds. adjustable by remote control |

| ORDERING INFORMATION | | | | OPTIONS | |
|----------------------|--------|--|--|---|----------|
| MODEL | CODE | POWER | ADDITIONAL FEATURES | OPTION | CODE |
| BTM B | 280310 | Black Battery Box for 6 x 1.5V batteries | Concealed integration behind the washroom mirror | Remote control | 07100005 |
| | | | | SWA: the complete soap-water-air module | 280400 |
| BTM E | 280300 | 9V transformer | | Matching soap dispenser | 280200 |
| | | | | Matching foam soap dispenser | 280250 |

Illustration/ Drawing

- Installation:**
Behind the mirror
- Water supply:**
Cold or premixed water (1 inlet)
- Water temperature:**
Max. 70 °C
- Operating pressure:**
0.5 - 8.0 bar
- Power source:**
9V Transformer



* All information of the above is for the reference only. No prior notice is made if any changes.



電子郵遞
e-mail wsdinfo@wsd.gov.hk

電話
Telephone 2829 4355

圖文傳真
Facsimile 2824 0578

檔號
Reference (6) in WSD 3321/16 Pt.1 T/J(1752)

21 June 2017

Approval of "STERN" Sensor Tap

Your letter ref. BE/L841/16 dated 22 December 2016 and subsequent submission received by this department on 6 June 2017 refer.

Having considered the test report ref. 170059ST170036 issued on 28 April 2017 by Fugro Technical Services Limited, this Authority accepts that the fitting described below complies with, and its use when correctly installed does not contravene, the Waterworks Ordinance and Regulations.

Name of Manufacturer: Y Stern Engineering Ltd

Country of Origin: Israel

Brand: Stern

Details of Fitting: 1/2" Behind mirror sensor faucet with flexible hose under WRAS approval no. 1601904

Model: 280300

Body Markings: Nil

Expiry Date: 9 April 2022 (for tap)
31 January 2021 (for flexible hose)

This Authority hereby permits the use of the above fitting in fresh water plumbing systems subject to full adherence to Waterworks installation requirements. In particular, you are required to draw your customers' attention to the following requirement-

"A stop cock or gate valve must be installed at the upstream of the fitting for manual isolation of water supply." AND

"The main voltage operated sensor valve should comply with the electricity safety regulation for applications in bathroom, toilet etc."

A condition of this acceptance is that the fitting to be installed shall be replicas of the sample as certified by the testing agent mentioned above and without modifications. This acceptance may be withdrawn at any time if the standard of the fitting installed fail to meet that of the approved sample or if the fitting is found to be unsuitable for use in fresh water plumbing systems.

This acceptance is only applicable to the main body of the fitting, unless other specified.

For the use of the fitting in any project, the Acceptance Reference Number at the bottom of this letter must be quoted as a means of identification of acceptance of the fitting by this Authority.

Should you have any enquiries, please contact our Engineer Mr Terry KUNG at tel. no. 2294 2656.

Yours faithfully,



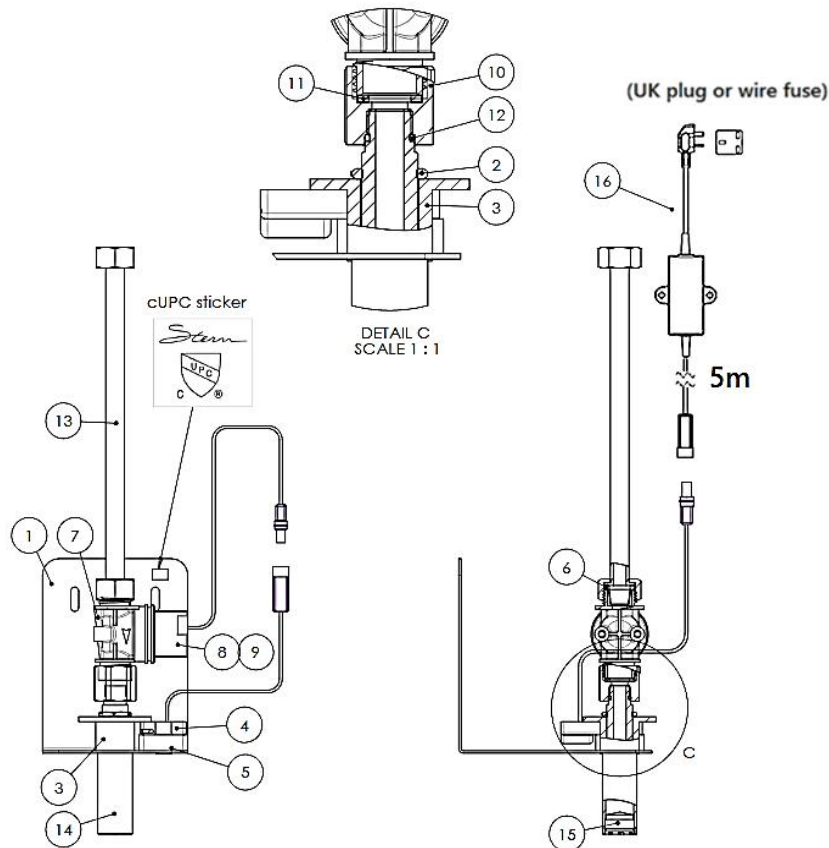
(CHAN Chung Kun)
for Water Authority

c.c. WSD 3321/1/82] - without catalogue
ME/MC] - with soft copy only



SPARE PARTS LIST

**BTM E
(280300)**



| | | | | | |
|----------|----------------------------------|---------------|----------|------|-----------------|
| 16 | Switch.Plug-in Transf. 9V EU-M | | TBC | 1 | |
| 15 | Aerator CACHE-HC-TJ M18.5 1.5GPM | 43.3232.01000 | 08510053 | 1 | |
| 14 | Spout for BTM faucet M18.5x1 | B23-00.00.04 | 07015084 | 1 | C38500 |
| 13 | Flex. pipe DN8 & Nuts 1/2" 650mm | | 09510071 | 1 | |
| 12 | O-Ring 10.82x1.78 | 2-013 | 04510105 | 1 | WRC/70 |
| 11 | Flat seal 1/2"x2 | | 04521903 | 1 | |
| 10 | Adapter G-1/2"xM13 | B23-00.00.02 | 07055250 | 1 | C38500 |
| 9 | Diaphragm assy | T19-02.00.00D | 04500001 | 1 | |
| 8 | LSA9WPC without diaphragm | S00-18.00.00 | 07500025 | 1 | |
| 7 | Valve Body 1/2" short PA | N22-00.00.05D | 07502019 | 1 | Grilamid LV-65H |
| 6 | H-Filter 1/2-50/20 H12 | | 08530013 | 1 | |
| 5 | Base for sensor | C42-00.00.02 | 07120204 | 1 | 07120073 |
| 4 | Electronic Unit for BTM faucet | B23-01.00.00 | 08002339 | 1 | |
| 3 | Support for sensor | U03-00.00.04 | 07120273 | 1 | Delrin |
| 2 | Nut M16x1 for BPS | P24-00.00.05 | 07099088 | 1 | C38500 |
| 1 | Support for BTM | B23-00.00.03 | 07055257 | 1 | AISI 304 |
| Item No. | DESCRIPTION | Drawing No | Cat.No | QTY. | Note |

Note: In order to locate the relevant spare part, please check the corresponding parts and part number in the drawing. Minimum order quantity will be required.

* All information of the above is for the reference only. No prior notice is made if any changes.